

STEAM IRON STATION

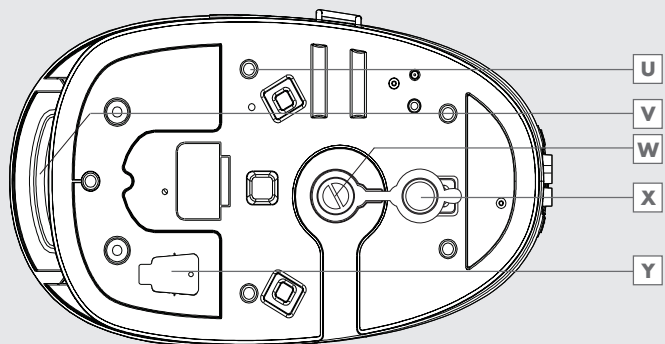
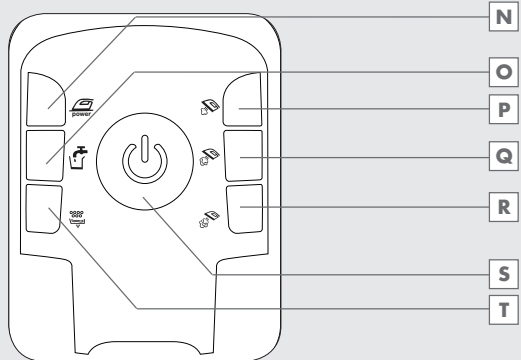
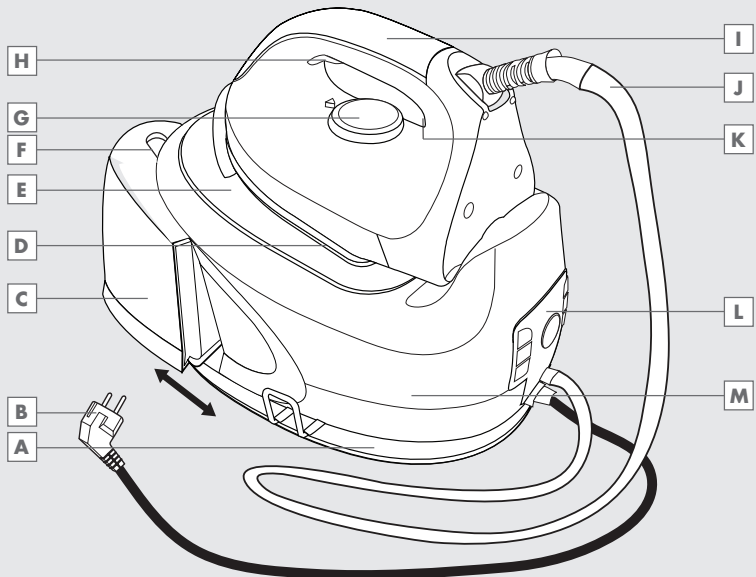
SIS 8250



FOR A GOOD REASON

GRUNDIG





SAFETY

Please read this instruction manual thoroughly prior to using this appliance! Follow all safety instructions in order to avoid damages due to improper use!

Keep the instruction manual for future reference. Should this appliance be given to a third party, then this instruction manual must also be handed over.

- Use this appliance for its intended purpose.
- Use this appliance indoors only. Do not use it in the bathroom or outside.
- No liability is accepted for damages resulting from incorrect usage or improper handling of the appliance.
- Do not leave this appliance unattended while it is in use. Extreme caution is advised when being used near children and persons who are restricted in their physical, sensory or mental abilities.
- The appliance should not be used by the following persons, including children: those with limited physical, sensory or mental capabilities or those with a lack of experience and knowledge. This does not apply to the latter if they were instructed in the use of the appliance or if they use it under the supervision of a person responsible for their safety. Children should always be supervised to ensure that they do not play with the appliance.
- Do not place this appliance on hotplates (gas, electric / coal stoves, etc.). Keep this appliance away from all hot surfaces.
- Do not open the outer casing under any circumstance. No liability is accepted for damages caused by improper use.
- Our GRUNDIG Household Appliances meet all the applicable safety standards; thus if the appliance or power cord is damaged, it must be repaired or replaced by the dealer, a service centre or a similarly qualified and authorized service person to avoid any danger. Faulty or unqualified repair work may cause danger and risk to the user.
- Never use this appliance with damp or wet hands.
- Only use the original accessories or those that are recommended by the manufacturer.
- Danger of suffocation! Keep all packaging materials away from children.
- Remove all packaging materials, labels and protective foil and dispose of them according to the applicable legal regulations.
- Clean all parts prior to usage.
- This appliance is intended for domestic use only.
- Make sure that your local power supply corresponds to the information on the rating plate. The only way to disconnect the appliance from the power supply is to pull the power plug out of the power outlet.
- For additional protection, this appliance should be connected to a household residual current device with a rating of no more than 30 mA. Consult your electrician for advice.
- Dry off the appliance and all accessories prior to connecting it to a power supply and prior to attaching the accessories.
- Make sure you do not accidentally trip on the power cable when the appliance is in use.
- Position the appliance in such a way that the power plug is always accessible.
- Never touch the power plug with damp or wet hands.
- Unplug the appliance before each cleaning and when the device is not in use.
- Avoid damages to the power cable by not squeezing, bending or rubbing it on sharp edges. Keep the power cable away from hot surfaces and open flames.
- Do not pull on the power cable to disconnect the appliance from the power supply and do not wrap the power cable around the appliance; use the cable storage holder provided.

SAFETY

- Do not use this appliance with an extension cord.
- Do not submerge the appliance, the power cable or the power plug in water or in any other liquid.
- Only clean this device with a slightly damp cloth.
- Always keep hair, clothing and other objects away from the appliance while it is in use in order to prevent injury and damages.
- Warning - Danger of Burns! Do not touch the hot soleplate. Do not lean over the iron while it is in use. Heat will rise from the device during usage! Only touch the iron by the handle.
- Only use the iron with the steam iron station connected.
- If this appliance falls, if water leaks or other defects occur, it must be inspected and repaired by an authorised specialist.
- Do not use this appliance until the defect has been repaired.
- Do not iron over zippers, metal buttons or other metal parts, as this could damage the soleplate.
- To ensure safe operation of the appliance, do not modify the safety features in any way.
- When walking away or leaving the appliance unattended only for a short time, make sure that the iron is always placed on the storage base and switched it off.
- An unattended, hot iron can result in burn injuries!
- Never point the hot soleplate towards people, animals or electrical devices whilst steam is being emitted.
- The water drain in the bottom of the steam ironing station must always be tightly sealed when the iron is in use.
- After use, always let the iron cool down completely in a location out of reach of children and persons who are restricted in their physical, sensory or mental abilities. Wait until the appliance has completely cooled down before storing it away.
- The iron must not be left unattended while it is connected to the mains supply.
- The plug must be removed from the socket-outlet before the water reservoir is filled with water.
- The iron must be used and rested on a stable surface.
- When placing the iron on its stand, ensure that the surface on which the stand is placed is stable.

OVERVIEW

Dear customer,

Congratulations on the purchase of your new GRUNDIG Steam Ironing Station SIS 8250.

Please read the following user notes carefully to ensure full enjoyment of your quality GRUNDIG product for many years to come.

A responsible approach!



GRUNDIG focusses on contractually agreed social working conditions with fair wages for both internal employees and suppliers. We also attach great importance to the efficient use of raw materials with continuous waste reduction of several tonnes of plastic every year. Furthermore, all our accessories are available for at least 5 years.

For a future worth living.
For a good reason. Grundig.

Special features

The Grundig steam ironing station is equipped with a 1.7 litre water tank, thereby enabling a long steam and ironing phase before the iron must be refilled with water.

Control and parts

See the figure on page 3.

- A** Cable storage holder with clamping bracket
- B** Power cable with power plug
- C** Removable water tank
- D** Soleplate
- E** Thermally insulated storage base
- F** Water filling opening with lid
- G** Temperature control dial
- H** Steam jet button
- I** Handle
- J** Steam hose
- K** Temperature indicator light
- L** Control panel
- M** Steam ironing station
- N** Power indicator
- O** Water filling indicator
- P** Steam button LOW
- Q** Steam button MEDIUM
- R** Steam button HIGH
- S** On/off switch
- T** Descaling indicator
- U** Non-slip rubber foot
- V** Handle for water tank
- W** Water drainage screw
- X** Rubber lid
- Y** Key for the water drainage screw

OPERATION

Preparation

- 1 Remove all packaging materials, labels and protective foil and dispose of them according to the applicable legal regulations.
- 2 Clean the outer parts of the appliance as described in the section "Cleaning and care".
- 3 Place the appliance on an even, stable, dry and non-slip surface.
- 4 Place the iron onto the storage base **E**.

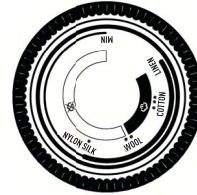
Notes

- During first use, a slight odour may occur as a result of manufacturing residues being burnt off. This is harmless and will only last for a short time. Ensure for sufficient ventilation.
- Never immerse the steam ironing station in water or any other liquid. Do not fill in the steam ironing station with vinegar, descaling agents, starch, perfume or ironing aids.
- When ironing for the first time, use an old, clean cloth so that manufacturing residues can be removed from the soleplate **D**.

Dry Ironing

- 1 Place the appliance on an even, dry and non-slip surface. The non-slip feet **U** ensure the stability of the appliance.
- 2 The water tank **C** must remain empty during the dry ironing process; otherwise steam pressure could build up.
- 3 Insert the power plug **B** into the wall socket.
- 4 Push the on/off switch **S** to switch on the steam ironing station.
 - The power indicator **N** lights up red and the blue steam button indicator light blinks on LOW **P**.

- 5 Depending on the type of fabric, turn the temperature control dial **G** to one of the following settings:



Nylon,	setting 1	•
Silk	setting 1	•
Wool	setting 2	••
Cotton	setting 3	•••
Linen	setting 3	•••

Caution

- Always read the care label on your garment before setting the temperature.
 - The temperature indicator light **K** lights up blue. The blue temperature indicator light **K** remains on while the iron is heating up. As soon as the iron reaches the set temperature, the temperature indicator light goes off. The temperature indicator light will go on and off during usage to indicate that the set temperature is being regulated.
- 6 The ironing process can begin. Do not press the steam jet button during dry ironing.

Caution

- When taking a break from ironing, always place the iron back onto the storage base **E**. The tip of the soleplate **D** must always be placed on the surface of the storage base.

OPERATION

- 7 After the ironing process is complete, place the iron onto the storage base.
- 8 Press and hold down the on/off switch of the steam ironing station for a few seconds to switch the steam ironing station off. Set the temperature control dial to MIN and disconnect the plug from the power outlet.
 - The red power indicator light **[N]** and the blue steam button indicator light LOW **[P]** go off.
- 9 Let the appliance cool down in a location that is safely out of reach of children.

Filling in the water tank

- 1 Grab the handle **[V]** underneath the water tank and pull the water tank out of the steam iron.
- 2 Open the lid of the water filling opening **[F]** and fill the water tank with tap water or distilled water up to the MAX marking. The maximum capacity is 1.7 litres.
- 3 Close the lid of the water filling opening and push the water tank completely into the steam ironing station. Make sure that it clicks into place properly and is secured to the housing of the steam ironing station.

Caution

- Do not move or shake the steam ironing station when the water tank is being filled. Water might spill out from the opening of the water tank.
- 4 Press the steam jet button briefly to reset the iron. After about 10 seconds the iron will be ready for steam ironing.

Notes

- When the water tank is empty, air enters into the pump causing a louder 'pumping' sound. This is quite normal.
- If your tap water is very hard it is recommended to mix the tap water with distilled water on a 50:50 ratio, or use distilled water only.

Steam ironing

- 1 Place the appliance on an even, dry and non-slip surface. The non-slip feet **[U]** ensure the stability of the appliance.
- 2 Fill the water tank as described in the section "Filling in the water tank".
- 3 Insert the power plug **[B]** into the wall socket.
- 4 Push the on/off switch **[S]** to switch on the steam ironing station.
 - The power indicator **[N]** lights up red and the blue steam button indicator light blinks on LOW **[P]**.
- 5 Adjust the temperature control dial **[G]** to the desired temperature.
 - The temperature indicator light **[K]** lights up blue. The blue temperature indicator light **[K]** remains on while the iron is heating up. As soon as the iron reaches the set temperature, the temperature indicator light goes off. The temperature indicator light will go on and off during usage to indicate that the set temperature is being regulated.

Note

- Steam ironing is only possible at higher temperature settings between •• and MAX.
- 6 The water in the water tank heats up within 3 minutes. As soon as the temperature indicator light goes off and the control indicator in the steam button remains lit, the steam iron is ready to use. Hold the iron in horizontal position on the garments and press the steam jet button **[H]**. Continue to move the iron when ironing.

Caution

- Never direct the steam at people or pets.

Notes

- When the steam ironing station is switched on it will produce a 'pumping' sound. This is normal and indicates that water is being pumped from the water tank into the steam ironing station.

OPERATION

- 7 Select a higher steam level with the steam buttons MEDIUM **[Q]** or HIGH **[R]**.
 - The corresponding control indicator in the steam button blinks as soon as it is selected. After approx. 2 minutes the control indicator will remain lit, indicating that the appliance is ready for steam ironing.
- 8 When there is insufficient water left in the water tank **[C]** the steam generation stops and the water filling indicator **[Q]** lights up, followed by an audible beep. The control indicator in the selected steam button goes off. Place the iron onto the storage base and refill the water tank (see section Filling in the water tank).
- 9 After ironing process is complete, place the iron onto the storage base.
- 10 Press and hold down the on/off switch of the steam ironing station for a few seconds to switch the steam ironing station off. Set the temperature control dial to MIN and disconnect the plug from the power outlet.
- 11 Let the appliance cool down in a location that is safely out of reach of children.

Caution

- Never touch the hot soleplate with bare hands. Danger of Burns!

Notes

- If the steam function has not been used for some time the water condensed in the steam hose transforms into water. When restarting the steam ironing station again, it could cause spluttering of the unit and water droplets at the soleplate. In order to avoid these droplets falling onto your garments we recommend using an old clean cloth in the beginning. Press the steam jet button until the droplets disappear and normal steam will be produced.
- If dirt particles escape from the soleplate, clean the steam ironing station according to the instructions in section "Cleaning and care".
- The steam ironing station will automatically switch off if no button or any other control element has been activated for a period of 10 minutes.

Vertical steam ironing

Note

- Vertical steam ironing can be applied to hanging curtains or clothes (suits, jackets and coats).

Caution

- Never direct the steam at people or pets.
- 1 The steam ironing station has three steam settings: low, mid and high. Please refer to section "Steam ironing".
 - 2 When the control indicator in the selected steam button remains lit, it indicates that the appliance is ready for steam ironing.
 - 3 Hold the iron in vertical position on the garments or curtains and press the steam jet button **[H]**. Continue to move the iron when ironing.

Tips for ironing

- Prior to ironing, always check the garment label to ensure the correct temperature is set on the iron.
- Since the iron heats up much quicker than it cools down, synthetic textiles, silk or similar fabrics should be ironed using lower temperature settings first.
- If the garment is made of combined types of fabric, always begin with the lowest temperature setting first.
- Silk and other textiles that tend to shine should be ironed inside out. Velvet and other types of fabric that shine should be ironed with very little pressure and only in one direction. Always keep moving the iron while ironing.
- Do not use the steam function when ironing coloured silk. This could cause stains.
- Garments made of 100% pure wool can be ironed using steam. Set the temperature control dial preferably to the MAX setting and lay a dry towel between the garment and the iron.
- Ironing wool garments can cause them to 'shine'. It is therefore recommended to iron such garments inside out.

Caution

- Never iron on metal parts, such as zippers, rivets, or metal buttons as they could damage the soleplate. Always iron around these metal parts.

Cleaning and care

Caution

- Do not under any circumstance use petrol, solvents, abrasive cleaners, or hard brushes to clean this appliance.
 - Do not touch the hot soleplate with bare hands directly after ironing. Danger of Burns!
 - Remove limescale and other mineral deposits from the steam ironing station when the descaling indicator lights up.
 - Never hold the steam ironing station under running water and never submerge it in water or any other liquid.
 - Never clean the soleplate with chemicals, steel wool, wood or other abrasive cleaning agents.
- 1 Prior to each cleaning, turn the appliance off and disconnect the power plug from the power outlet.
 - 2 Let the steam iron cool down completely.
 - 3 Use a slightly damp cloth to clean the exterior of the iron. Then dry it off thoroughly.
 - 4 Wipe deposits off the soleplate with a slightly damp cloth or if necessary, with a mild, non-abrasive liquid cleaner.

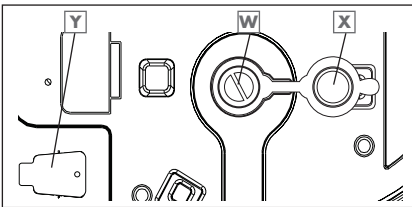
Descaling

Note

- To maintain efficiency and extend the operating life of your steam ironing station and to avoid scale particles on your garments, this unit is equipped with a "Descaling" warning indicator light **T**. This light flashes on the control panel **L** after about 100 minutes of operating time.
- When the descaling indicator **T** lights up, you can continue using your iron normally but you need to remember to descale the unit before using it the next time.

Caution

- Do not use any descaling products! These could damage the appliance.
 - Before descaling or emptying the unit, the iron must cool down for more than 2 hours in order to avoid the risk of burns.
- 1 Place the cooled down steam iron on an even surface.
 - 2 Remove water tank from the steam station.
 - 3 Turn the steam ironing station on its side. Pull the rubber lid **X** on the water drainage screw **W**.
 - 4 Remove the key **Y** located underneath the steam ironing station and open the water drainage screw with it.



- 5 Fill the steam station with ca. 0.5 L clean water through opened water drainage screw.
- 6 Screw in the water drainage again.
- 7 Hold and shake the steam station at least 1 min.

- 8 Screw out water drainage and shake the steam station while water drains out into the sink.
- 9 Let the water drain out into a sink completely.
- 10 Screw in the water drainage screw again and tighten it.
- 11 Push the rubber lid onto the water drainage screw.
- 12 Assemble the water tank. If the warning light remains lit, repeat the above procedure.

Storage

If you will not be using the steam iron for a long period of time, please store it away carefully.

- Make sure that the iron is disconnected from the power supply and completely dry when storing it away.
- Empty the water tank.
- Open the water drainage screw and let the remaining water drain out of the iron. Screw in the water drainage screw again and tighten it.
- To store away the steam ironing station, wind the steam hose **J** and the power cable around the cable storage holder **A** and secure them with the clamping bracket.
- Please try to store the steam iron and the attachments in their original packaging.
- Store it in a cool, dry place.
- Make sure the appliance is always kept out of the reach of children.

Environmental note

This product is manufactured from high-quality parts and materials which can be reused and recycled.




Therefore, do not dispose the product with normal household waste at the end of its service life. Take it to a collection point for the recycling of electrical and electronic equipment. This is indicated by this

symbol on the product, in the operating manual and on the packaging.

Please find the closest collection points operated by your local authority.

Help protect the environment by recycling used products.

Technical data

 This product conforms to the European directives 2004/108/EC, 2006/95/EC and 2009/125/EC.

Power supply: 220-240V~ 50Hz

Power consumption: 2000-2400W

Steam pressure: 4.5 bar

Steam quantity: 100g/min.

Water tank capacity: 1.7 litres

When the steam ironing station has come to the end of its service life, please completely disable the appliance by pulling the plug out of the power outlet and cutting through the cord.

Subject to change without prior notice!

www.grundig.com
720119083400 12/30

AUS GUTEM GRUND

GRUNDIG